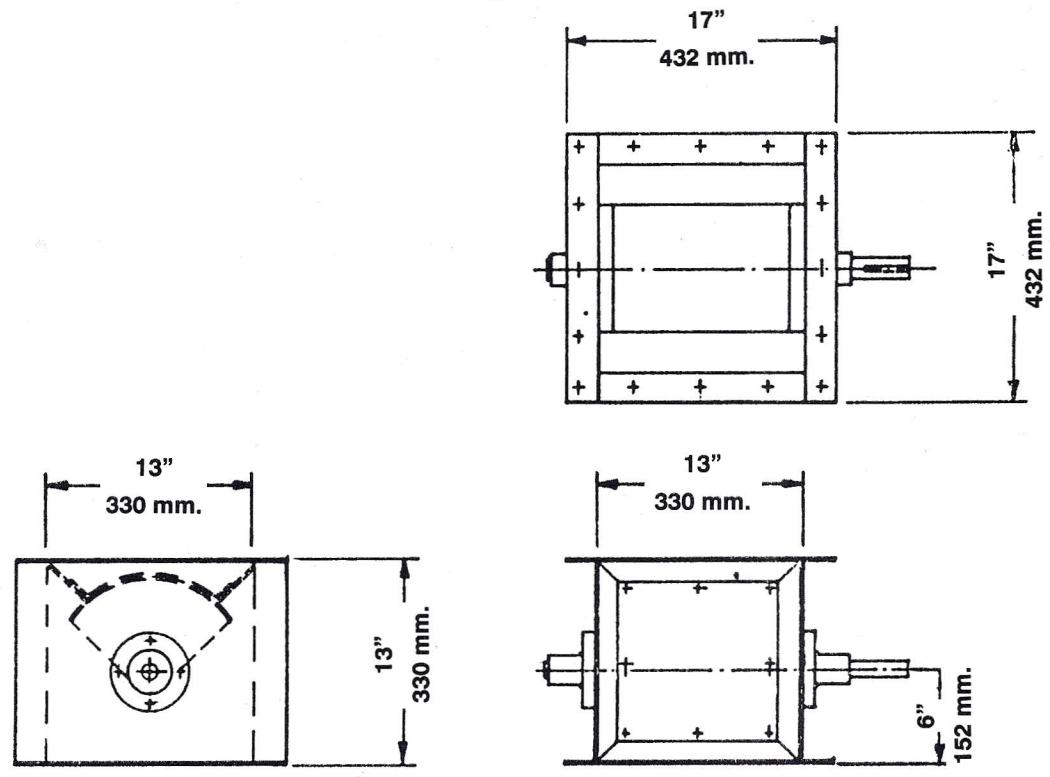
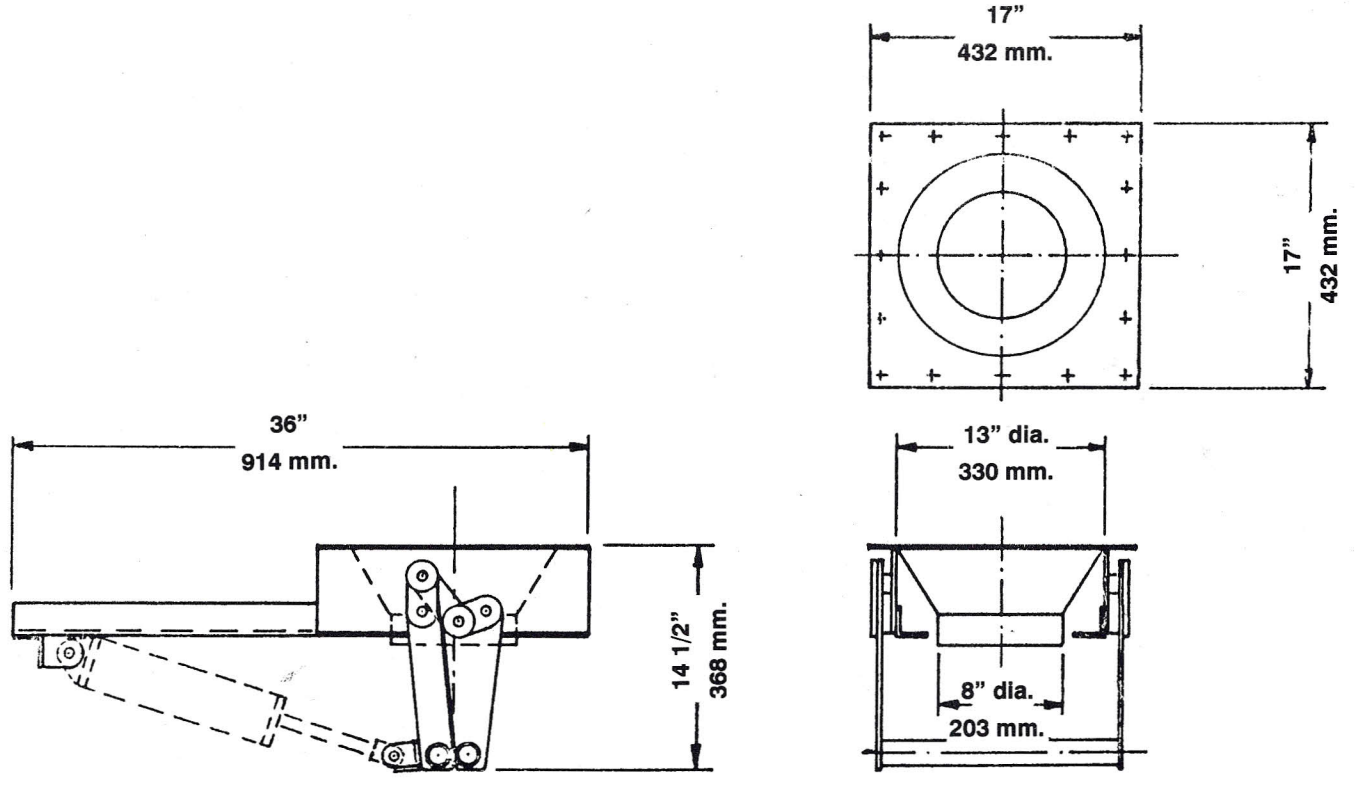


Rotary Gates



Wringer Gates



Note: Mounting holes are 9/16" diameter.