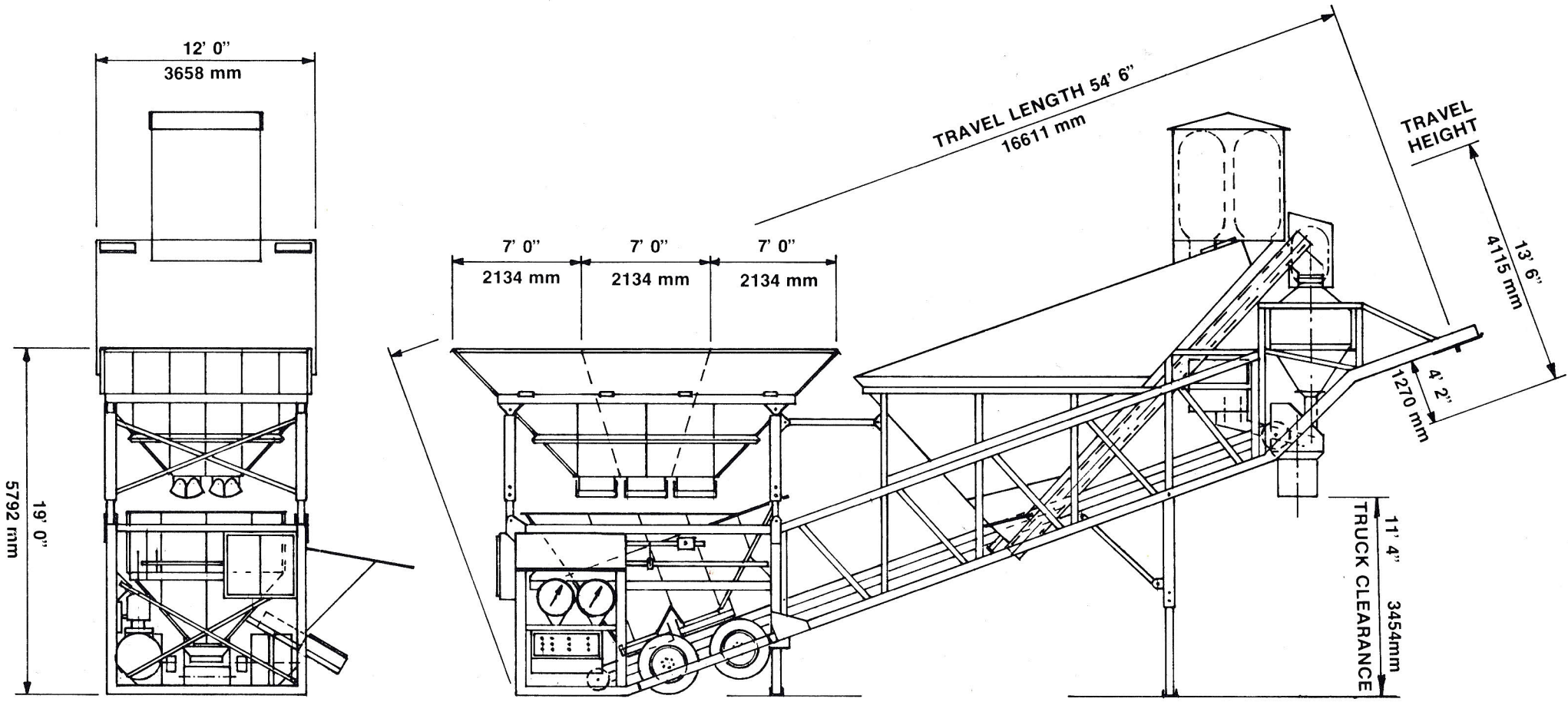


24
Pg



10 CU. YARDS — 7.6 M³
PORTABLE CONCRETE BATCH PLANT

ESTIMATED PLANT WEIGHT	LBS.	KG.
Weight on 5th wheel pin	13,121	5,952
Weight on rear axle	38,845	17,620
Total plant weight	51,966	23,572