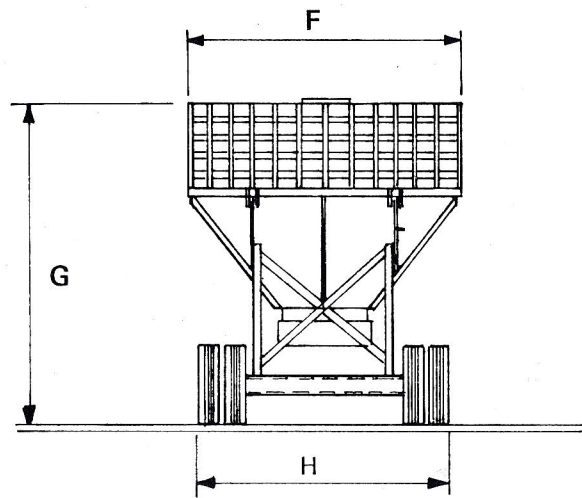
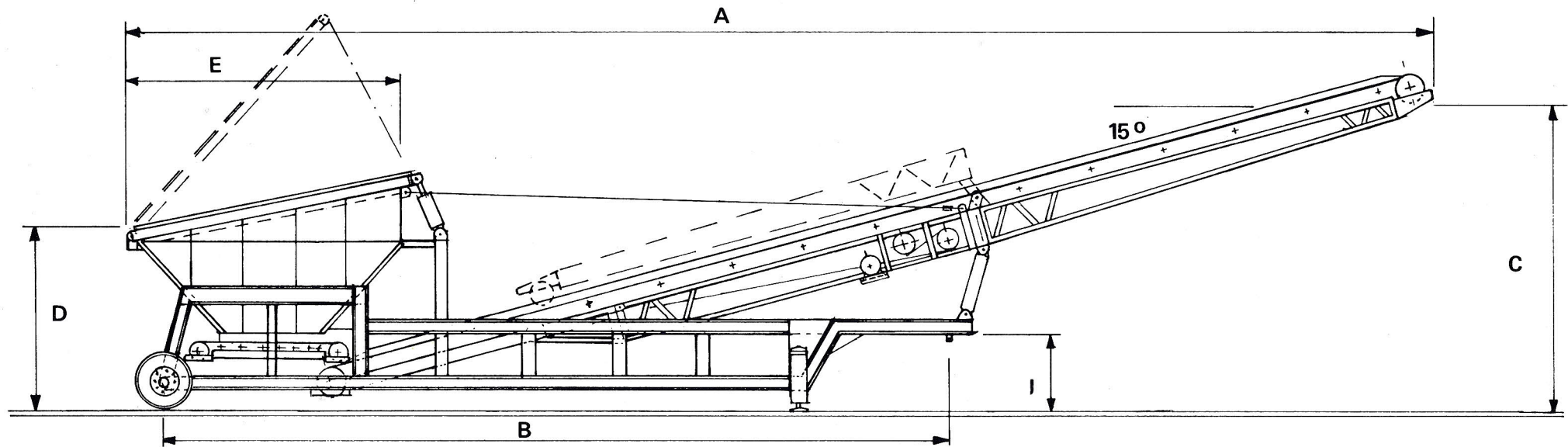


Conveyor Products for the Aggregate Industry



**36 IMPERIAL TONS or 33 METRIC TONS SURGE HOPPER WITH HYDRAULIC RAISED GRIZZLY AND VARIABLE SPEED BELT FEEDER. THIS SPECIAL UNIT DESIGNED FOR COARSE STONE AND QUARRY OPERATIONS.**

**WEAR PLATES INSIDE HOPPER. RATED CAPACITIES FROM 400 - 1200 T.P.H.**

| BELT SIZE |      | A      | B      | C      | D      | E      | F      | G      | H      | I     | CONV. H.P. | FEEDER H.P. |
|-----------|------|--------|--------|--------|--------|--------|--------|--------|--------|-------|------------|-------------|
| IMP.      | 30"  | 69'-8" | 42'-3" | 16'-0" | 10'-3" | 14'-0" | 11'-0" | 13'-5" | 10'-0" | 4'-2" | 10         | 5           |
| mm        | 762  | 21234  | 12878  | 4876   | 3124   | 4267   | 3352   | 4089   | 3048   | 1270  | 10         | 5           |
| IMP.      | 36"  | 69'-8" | 42'-3" | 16'-0" | 10'-3" | 14'-0" | 11'-0" | 13'-5" | 10'-0" | 4'-2" | 15         | 7 1/2       |
| mm        | 914  | 21234  | 12878  | 4876   | 3124   | 4267   | 3352   | 4089   | 3048   | 1270  | 15         | 7 1/2       |
| IMP.      | 42"  | 69'-8" | 42'-3" | 16'-0" | 10'-3" | 14'-0" | 11'-0" | 13'-5" | 10'-0" | 4'-2" | 20         | 10          |
| mm        | 1066 | 21234  | 12878  | 4876   | 3124   | 4267   | 3352   | 4089   | 3048   | 1270  | 20         | 10          |