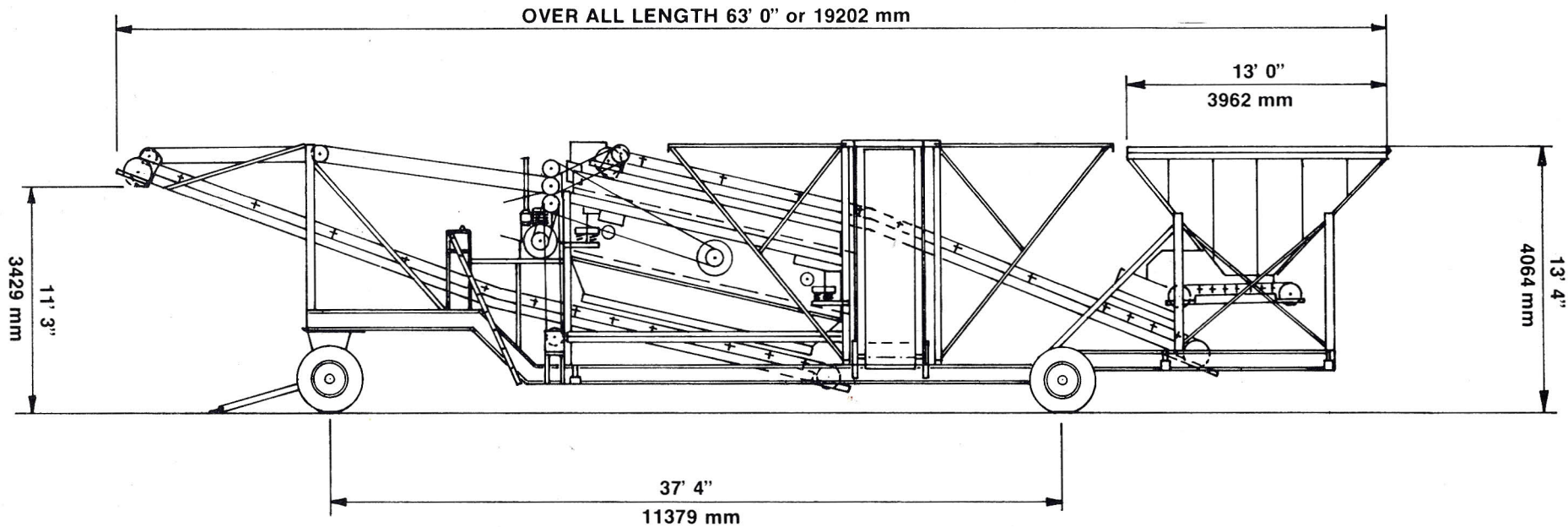
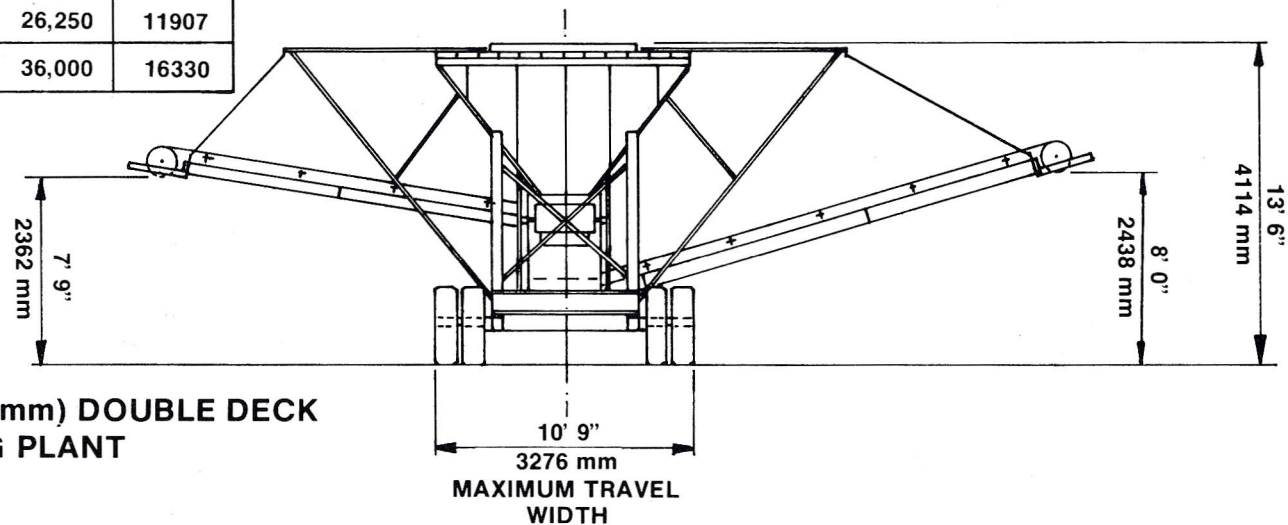


Conveyor Products for the Aggregate Industry



| ESTIMATED PLANT WEIGHT | LBS. | KGS. |
|-------------------------|--------|-------|
| Weight on 5th wheel pin | 9,750 | 4423 |
| Weight on rear axle | 26,250 | 11907 |
| Total plant weight | 36,000 | 16330 |



5' x 14' (1524 mm x 4267 mm) DOUBLE DECK PORTABLE SCREENING PLANT "CAPACITOR 300"