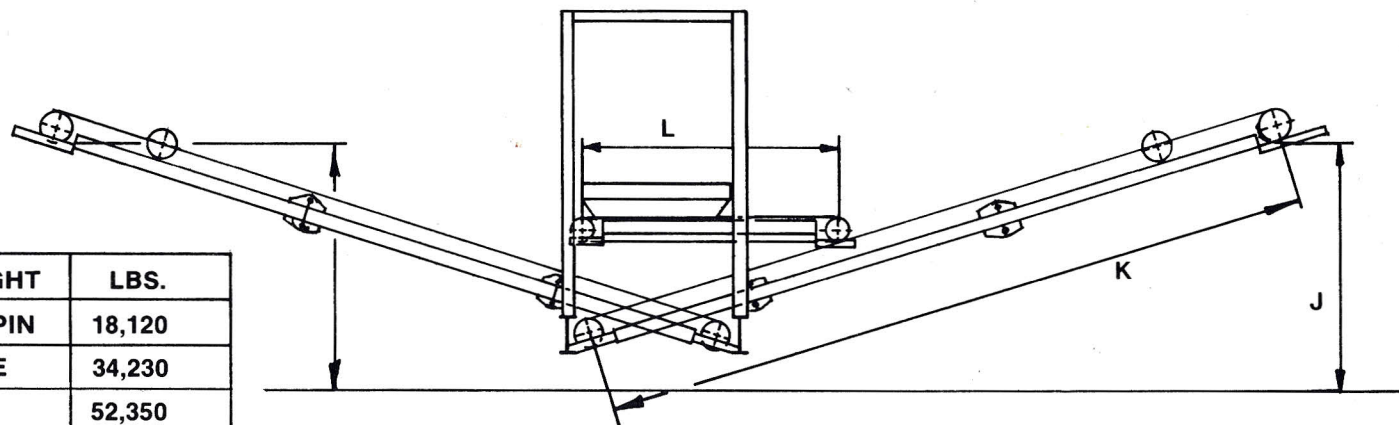
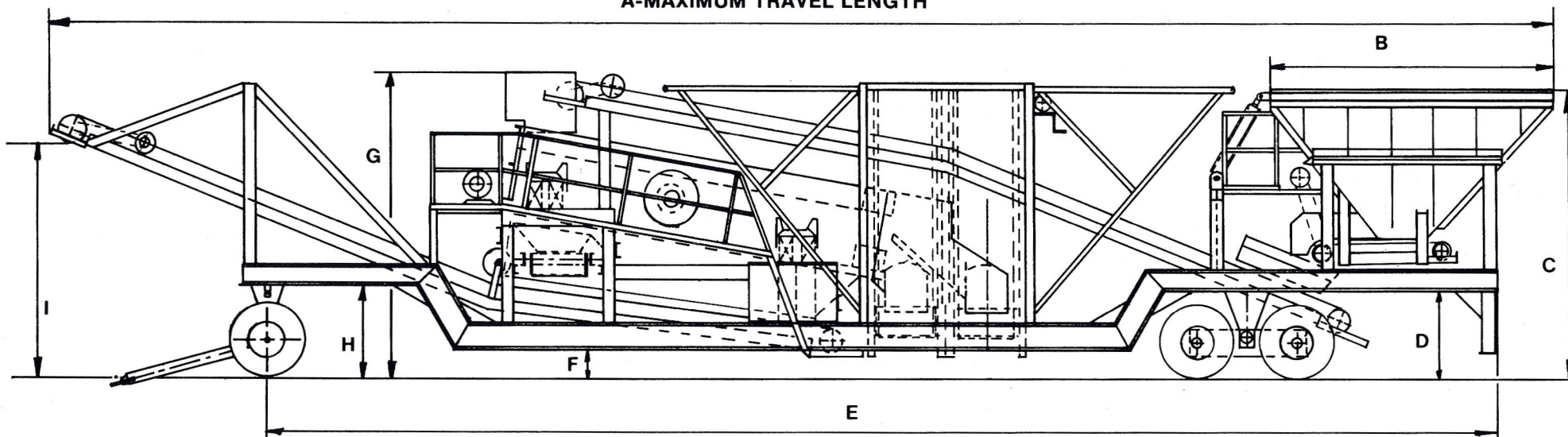


5' x 16' - (1524 mm. x 4876 mm.) - 2 DECK PORTABLE PIONEER SCREENING PLANT - 1980 MODEL

A-MAXIMUM TRAVEL LENGTH



ESTIMATED PLANT WEIGHT	LBS.
WEIGHT ON 5TH WHEEL PIN	18,120
WEIGHT ON REAR AXLE	34,230
TOTAL PLANT WEIGHT	52,350

	A	B	C	D	E	F	G	H	I	J	K	L
IMP.	69'-6"	13'x10'x8'	13'-2½"	4'-0"	56'-5"	1'-3"	13'-11"	4'-2"	10'-8"	4'-6"	26'-0½"	9'-3"
mm.	21183	3963 x 3252	4025	1219	17195	381	4241	1270	3251	1371	7937	2819