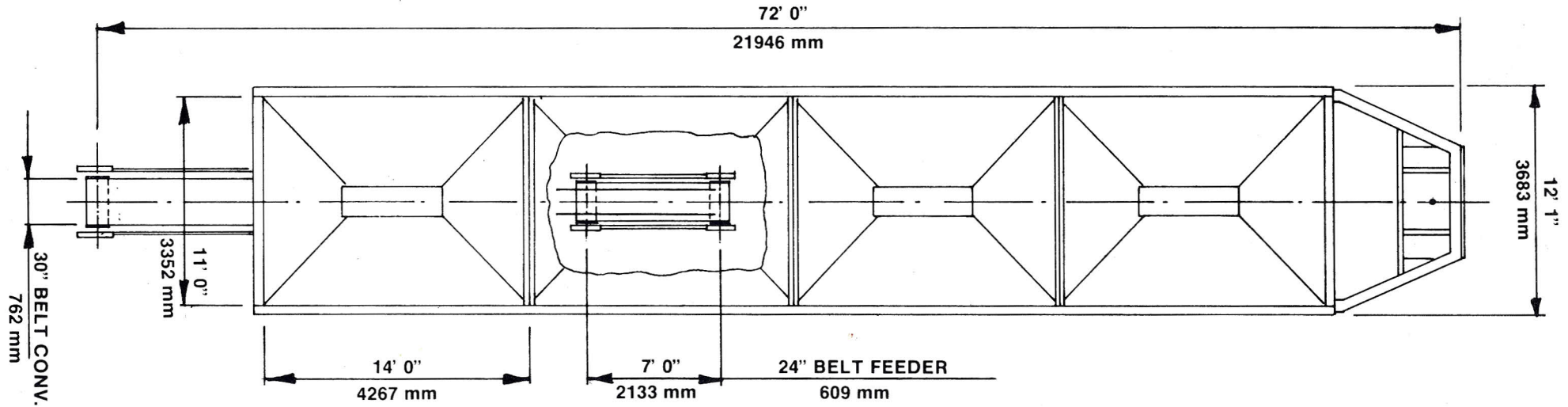
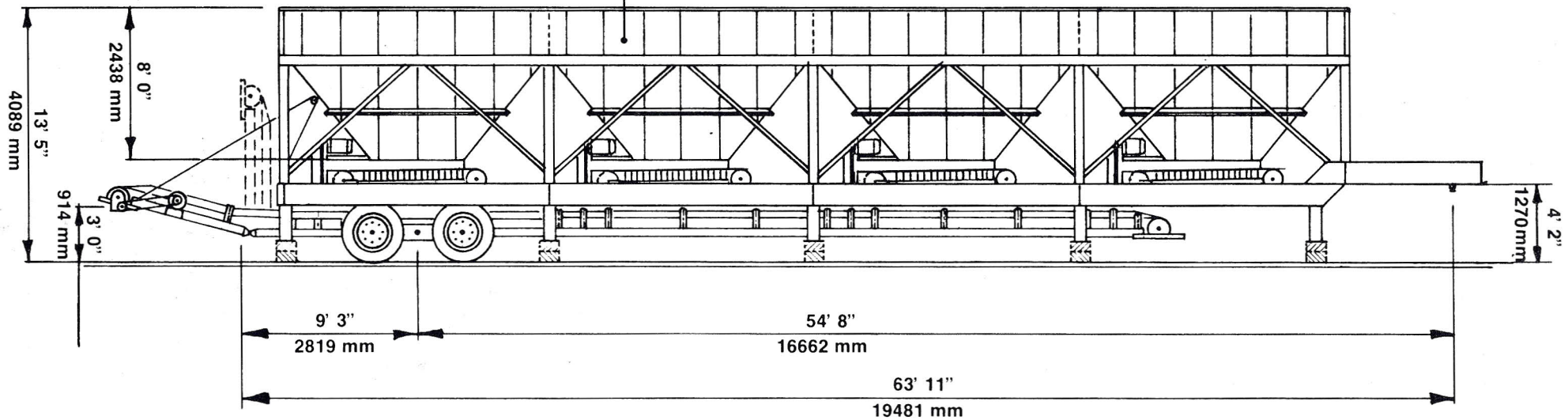


Conveyor Products for the Aggregate Industry



BIN CAPACITY-37.5 TONS or 34 METRIC TONS. MATERIAL WEIGHING 100 LBS./CU. FT. or 1600 KGS./CU. MET.



FOUR COMPARTMENT PORTABLE BIN

1837