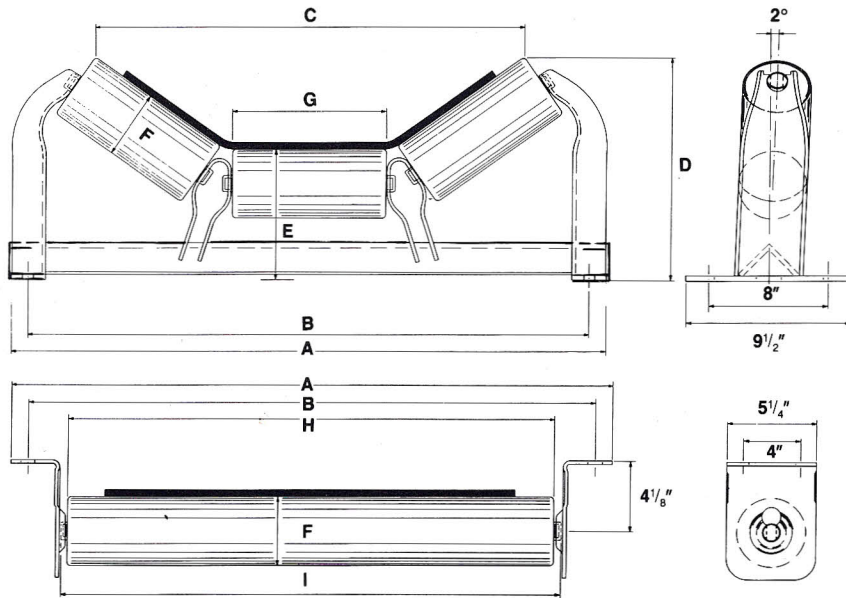


# Series 25 6" Troughing Idlers & Return Rollers



20 DEG.

Belt Sizes	H.D.STYLE NO. AB-25-620S TROUGH ROLLERS AND AB-25- 600S RETURN ROLLERS*										WT - LBS		
	A*	B*	C	D	E	F*	G	H*	I*	Roller	Carrier	Return	
18"	29"	27"	21 1/2"	11"	8 1/2"	6"	7"	22 1/4"	23 1/2"	11	66	40	
24"	35"	33"	26 7/8"	11 5/8"	8 1/2"	6"	8 7/8"	28 1/4"	29 1/2"	12	77	50	
30"	41"	39"	32 5/8"	12 3/8"	8 1/2"	6"	10 7/8"	34 1/4"	35 1/2"	14	88	60	
36"	47"	45"	38 3/4"	13 1/2"	8 1/2"	6"	13"	40 1/4"	41 1/2"	15	103	70	
42"	53"	51"	45 1/4"	14 1/4"	8 7/8"	6"	15 1/4"	46 1/4"	47 1/2"	18	116	80	
48"*	59"	57"	51 3/8"	15 3/8"	8 7/8"	6"	17 3/8"	52 1/4"	53 1/2"	19	142	88	
54"*	65"	63"	57 1/2"	16 7/8"	9 1/4"	6"	19 1/2"	58 1/4"	59 1/2"	21	164	96	
60"	71"	69"	63 5/8"	16 3/4"	9 1/4"	6"	21 5/8"	64 1/4"	65 1/2"	23	178	105	

35 DEG.

Belt Sizes	H.D.STYLE NO. AB-25-635S TROUGH ROLLERS AND AB-25-600S RETURN ROLLERS*										WT - LBS		
	A*	B*	C	D	E	F*	G	H*	I*	Roller	Carrier	Return	
18"	29"	27"	19 1/8"	12 3/4"	8 1/2"	6"	7"	22 1/4"	23 1/2"	11	67	40	
24"	35"	33"	24 1/8"	13 3/4"	8 1/2"	6"	8 7/8"	28 1/4"	29 1/2"	12	78	50	
30"	41"	39"	29 3/8"	14 1/8"	8 1/2"	6"	10 7/8"	34 1/4"	35 1/2"	14	90	60	
36"	47"	45"	35"	16 1/2"	8 1/2"	6"	13"	40 1/4"	41 1/2"	15	106	70	
42"	53"	51"	40 7/8"	17 3/4"	8 7/8"	6"	15 1/4"	46 1/4"	47 1/2"	18	119	80	
48"*	59"	57"	46 1/2"	19 3/8"	8 7/8"	6"	17 3/8"	52 1/4"	53 1/2"	19	147	88	
54"*	65"	63"	52 1/8"	20 5/8"	9 1/4"	6"	19 1/2"	58 1/4"	59 1/2"	21	167	96	
60"	71"	69"	57 3/4"	21 3/4"	9 1/4"	6"	21 5/8"	64 1/4"	65 1/2"	23	181	105	

\* Return rollers available with lagging.  
Rollers and Frames sold separately if required.  
All weights are approximate.  
Mounting holes are 11/16" diameter.