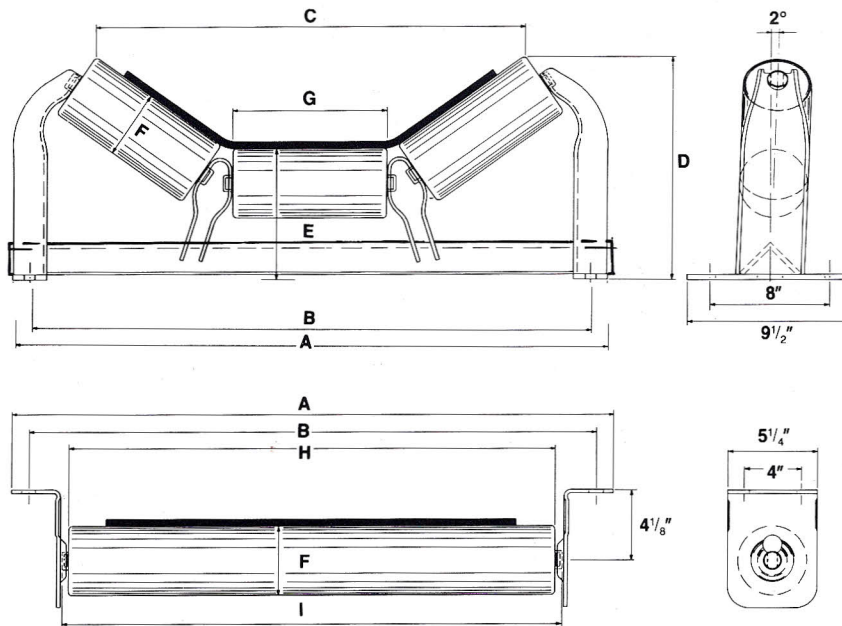


Series 19 4" Troughing Idlers & Return Rollers



20 DEG.

Belt Sizes	H.D.STYLE NO. AB-19-420S TROUGH ROLLERS AND AB-19-400S RETURN ROLLERS*									WT - LBS		
	A*	B*	C	D	E	F*	G	H*	I*	Roller	Carrier	Return
18"	29"	27"	22 1/8"	10"	7 1/2"	4"	7"	22 1/4"	23 1/2"	7	39	18
24"	35"	33"	27 1/2"	10 5/8"	7 1/2"	4"	8 7/8"	28 1/4"	29 1/2"	8	46	21
30"	41"	39"	33 3/8"	11 3/8"	7 1/2"	4"	10 7/8"	34 1/4"	35 1/2"	9	51	25
36"	47"	45"	39 3/8"	12"	7 1/2"	4"	13"	40 1/4"	41 1/2"	10	58	29
42"	53"	51"	45 7/8"	13 1/8"	7 3/4"	4"	15 1/4"	46 1/4"	47 1/2"	12	67	34

35 DEG.

Belt Sizes	H.D.STYLE NO. AB-19-435S TROUGH ROLLERS AND AB-19-400S RETURN ROLLERS*									WT - LBS		
	A*	B*	C	D	E	F*	G	H*	I*	Roller	Carrier	Return
18"	29"	27"	20 1/4"	11 3/4"	7 1/2"	4"	7"	22 1/4"	23 1/2"	7	40	18
24"	35"	33"	25 1/8"	12 3/4"	7 1/2"	4"	8 7/8"	28 1/4"	29 1/2"	8	47	21
30"	41"	39"	30 1/2"	14"	7 1/2"	4"	10 7/8"	34 1/4"	35 1/2"	9	54	25
36"	47"	45"	36 1/8"	15 1/8"	7 1/2"	4"	13"	40 1/4"	41 1/2"	10	60	29
42"***	53"	51"	42"	16 3/4"	7 3/4"	4"	15 1/4"	46 1/4"	47 1/2"	12	68	34

* Return rollers available with lagging.
 ** Available with 1" diameter (25 mm) shafts.
 Rollers and Frames sold separately if required.
 All weights are approximate.
 Mounting holes are 11/16" diameter.